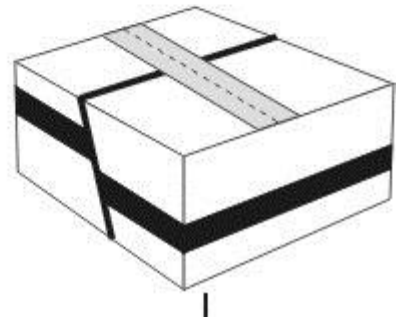
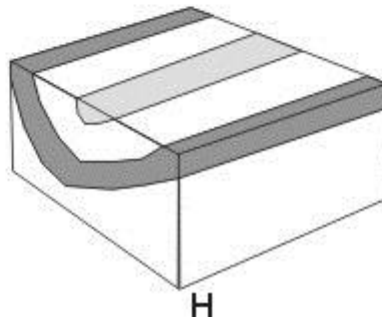
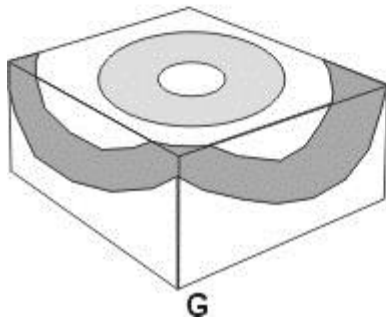
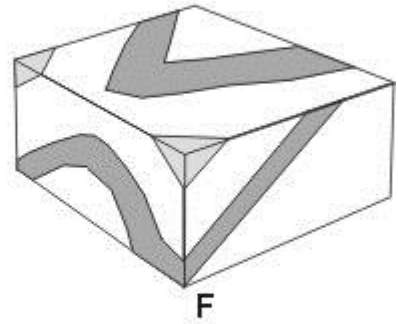
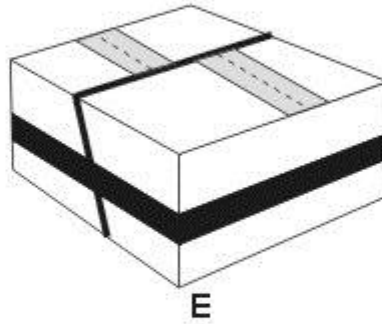
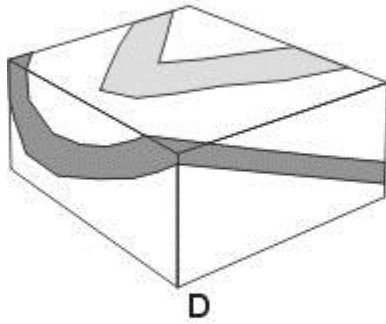
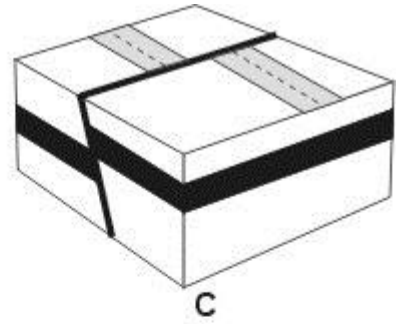
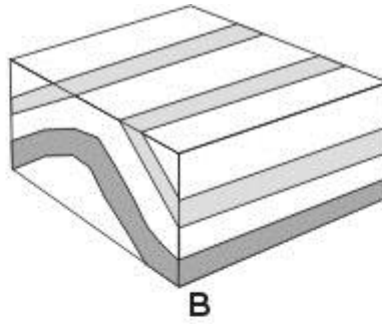
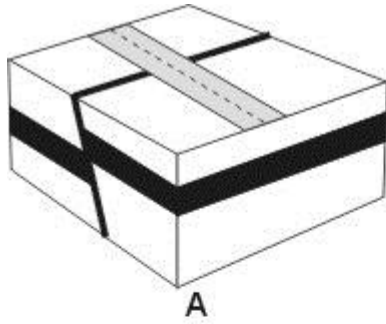


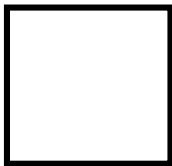
Names _____

Below are Geologic Structures. Identify each one with a name and label which layer is the oldest and youngest.

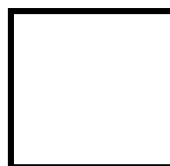


Below are some shapes. Please show the effect of each type of stress by redrawing the shape next to the square after deformation of stress occurs.

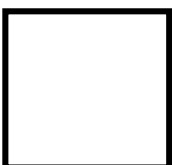
Pressure



Shear



Compression



Tension

